

Update the product via USB

To access the USB port:

- CTC EcoHeat 400
- CTC EcoPart 400 Pro
- CTC EcoZenith i255

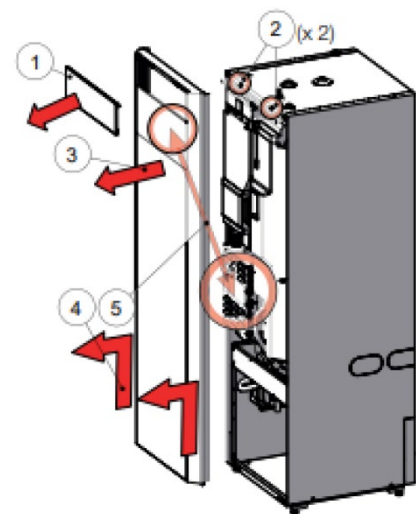
Gently pull the lower right corner of the display outwards.
Then the display will „click out“ and you can see the USB port as shown in the picture.



-
- CTC Gsi 600
 - CTC GS 600
 - CTC EcoPart i600M
 - CTC EcoVent i360F
 - CTC EcoZenith i360

To access the USB port, the front needs to be opened:

1. Remove the magnetic strip.
2. Loosen two screws.
3. Fold out the front.
4. Lift up and out the front.
5. Beware of cable between display and cabling.



-
- CTC EcoLogic L/M

Loosen the screws to remove the display assembly (beware of cable between display and cabling).

Software update

1. In the main menu, press <The cogwheel in the upper right corner>
2. Press <Service>
3. Scroll down to <Software update>
4. Press <OK>
5. <Display>
6. Press <OK>
7. <Software update, USB>
8. Press <OK>
9. Insert the USB stick with the new software
10. Press <OK>
11. A counter starts. When the program is downloaded, the display restarts.
12. Check that all settings are OK
13. Now everything is ready.